

aquatica®

Function : Form : Fashion



## Multiplex Duo

Shower Control

Installation & Care Manual

**INTERNATIONAL**

# Multiplex Duo

## Shower Control Shower Control

### IMPORTANT AND SAFETY INFORMATION

**Please read these instructions carefully before starting installation and keep in a safe place for future reference.**

This Installation Guide contains instructions for the correct connection of the Duo product. The warranty will be invalidated if the product is not installed according to these instructions. Aquatica accepts no liability for loss or damage resulting from installation or use of the product that is not in accordance with these instructions.

**All Aquatica valves are mixed flow products, which, for optimum performance, require hot and cold supplies to be reasonably balanced, with no more than 0.5bar pressure difference between them.**

This product MUST be installed by a competent person in accordance with all current relevant state and municipal statutes and regulations, including building regulations.

All showers requiring an electrical connection MUST be installed by a certified plumber and electrician. Before any electrical connections are made, the electricity supply must be turned off at the mains switch. All electrical installation must be carried out only by a certified electrician.

We recommend that the temperature of the shower hot water supply should not exceed 65°C (149F).

The processor is supplied factory pre-set at a maximum temperature of 40°C (104F), in line with cUPC standards. The maximum temperature is fully adjustable to suit the site conditions.

**Important: The processor must be installed in an accessible location for servicing and maintenance (and no warranty claim can be considered or liability accepted by Aquatica if lack of accessibility has prevented maintenance).**

The processor must not be installed in situations where either the ambient temperature is likely to exceed 40°C (104F) or where freezing may occur.

The user controls must not be installed in situations where the ambient temperature is likely to fall below 5°C(41F) or rise above 70°C. (158F).

The minimum depth of wall required to fit the control fixing brackets is 70mm (2 3/4"). 35mm (1.4") depth is required if the rear of the bracket is cut down.

Cables mounted on surfaces must be protected by a suitable approved conduit. This applies even in a loft, where there may be a risk of damage by vermin.

**Cables that are chased into walls must also be protected by a conduit or sheathing to allow removal for service and maintenance.**

The power lead must not be replaced by anyone other than the manufacturer or its accredited agent.

The user control operates from a low voltage source.

Please check for hidden pipes or cables before drilling any holes.

The Multiplex Duo is suitable for domestic or commercial use. This product is supplied with a 5 year guarantee.

This product is not intended for use by children or persons with reduced physical or mental capabilities, and should not be used by such persons without appropriate instruction and supervision.

#### WARNING

**CONTINUOUSLY TURNING THE CONTROL WHEEL IN THE CLOCKWISE DIRECTION MAY OVERRIDE THE PRE-SET MAXIMUM TEMPERATURE, RESULTING IN A RISK OF SCALDING.**

**ALWAYS TAKE CARE WHEN OPERATING THE CONTROL WHEEL, AND DO NOT LEAVE CHILDREN UNATTENDED WHILST THE PRODUCT IS IN OPERATION.**

#### Pipe sizing

To reduce pressure losses and help maintain flow rate, 3/4" pipework should be used on the inlets and reduced to 1/2" as close to the processor as possible, and elbows should be kept to a minimum.

Pipe runs on both inlet and outlet should be as short as possible to avoid reduction of flow rate at the shower head. If 1/2" pipe must be used, or long pipe runs are unavoidable on the outlet, copper pipe should be used rather than plastic, particularly if a diverter is fitted.

All copper pipework must be cross-bonded and connected to an earthing point.

Full bore isolation valves must be fitted for maintenance purposes.

#### Flushing

After completing soldering the pipework should be thoroughly flushed out in accordance with the state and municipal regulations prior to connection of the product.

#### After installation

We recommend that the shower is not used for 24 hours after first being installed to allow the back up battery to become fully charged before use. Please familiarise the end user with how the Multiplex Duo works.

# Multiplex Duo

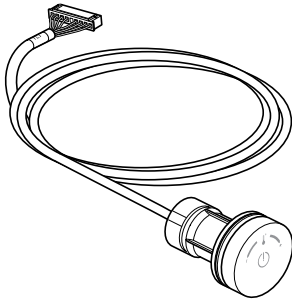
Shower Control Shower Control

aquatica®

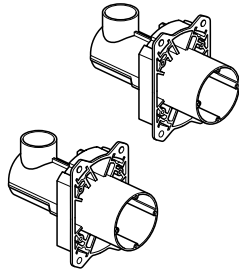
Function : Form : Fashion

## PACKAGE CONTENTS

### Shower Control Option



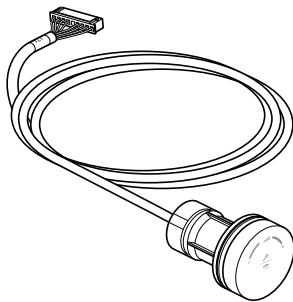
DUO TEMPERATURE CONTROL



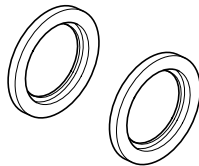
CONTROL FIXING BRACKETS



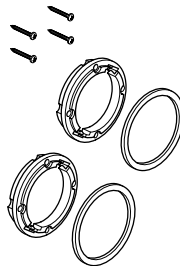
CONTROL FIXINGS



DUO FLOW/OUTLET CONTROL

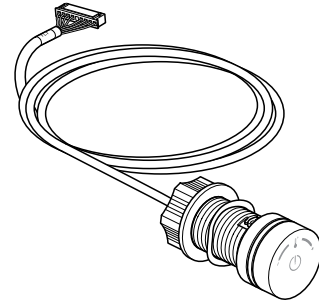


BACK PLATES & FOAM GASKETS

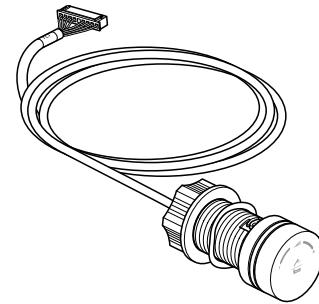


ADAPTOR RING SETS

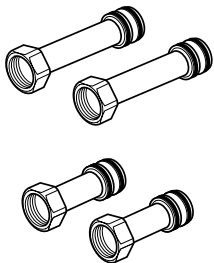
### Bath Control Option



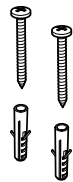
DUO TEMPERATURE CONTROL



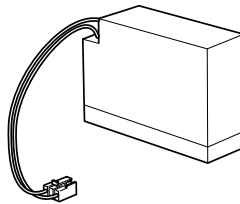
DUO FLOW/OUTLET CONTROL



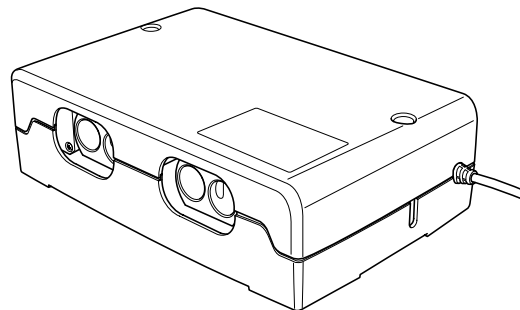
INLET & OUTLET CONNECTORS



PROCESSOR FIXINGS

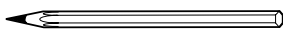


BACK UP BATTERY SUPPLY

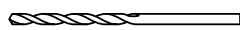


PROCESSOR - DUAL OUTLET  
SHOWER: MDUOSH BATH: MDUOBATH

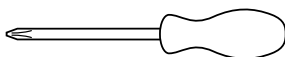
## TOOLS REQUIRED



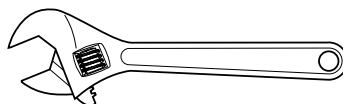
PENCIL



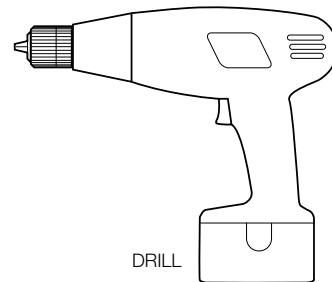
8MM DRILL BIT



CROSSHEAD SCREWDRIVER



ADJUSTABLE SPANNER



DRILL

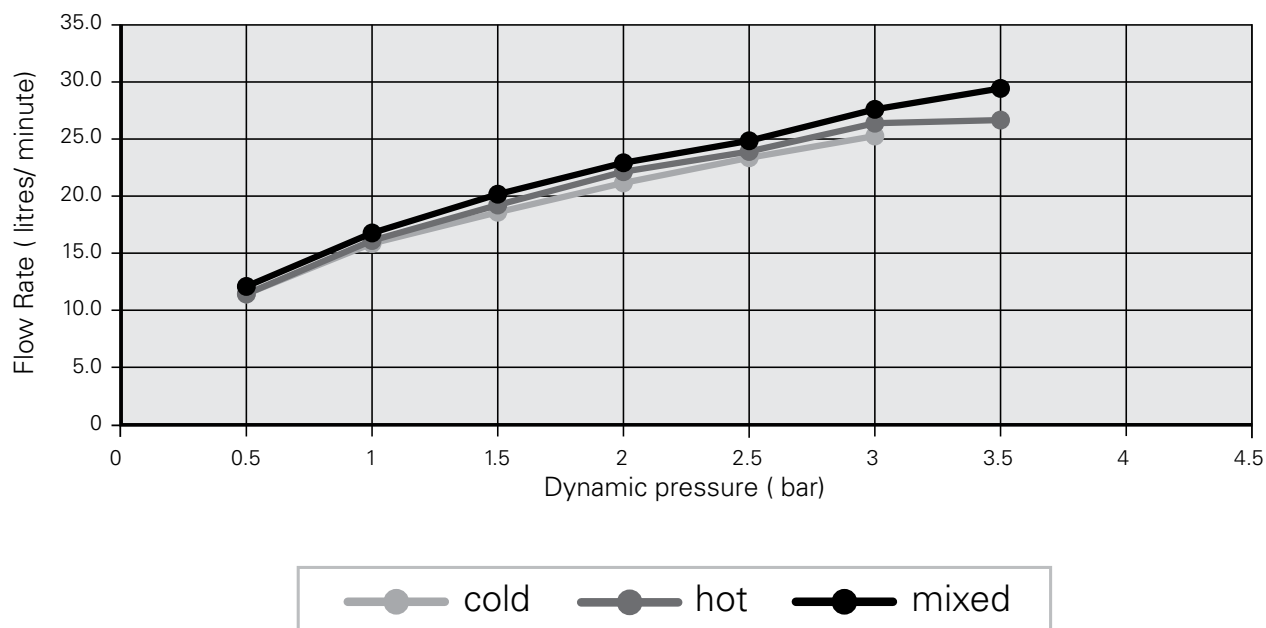
aquatica®

Function : Form : Fashion

# Multiplex Duo

Shower Control Shower Control

## FLOW PERFORMANCE



The Flow rate is depending on Dynamic water pressure of supply system to the processor.

### Water pressure - recommended

MP	minimum 0.5 bar
HP1	minimum 1 bar
HP2	minimum 2 bar
HP3	minimum 3 bar
HP4	minimum 4 bar

All products marked LP (Low pressure) and MP (Medium pressure) are also suitable for HP (High pressure) systems.

**Please note:** This product must work from a minimum water pressure of 0.5 bar and above.

# Multiplex Duo

Shower Control Shower Control

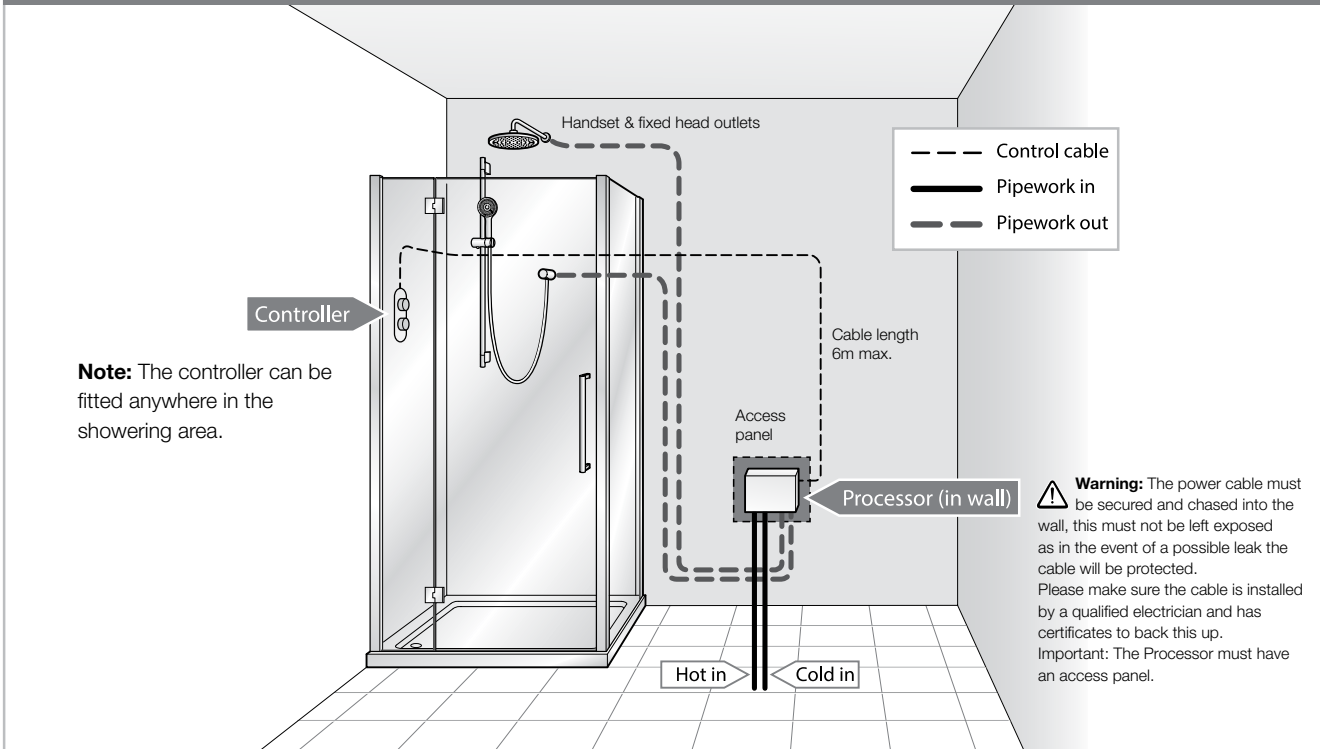
aquatica®

Function : Form : Fashion

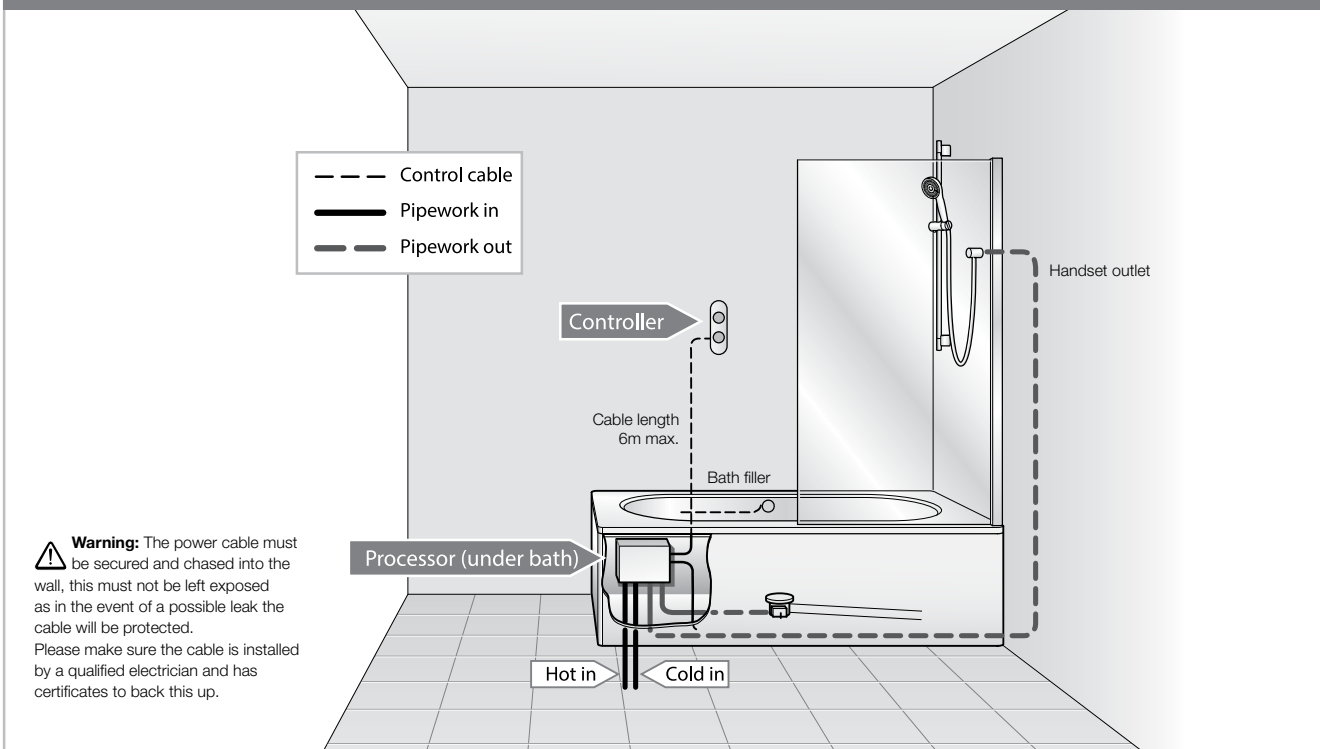
## TYPICAL WALL MOUNTED INSTALLATION SCENARIO:

**IMPORTANT: The Processor must be accessible and should not be sealed in the wall.**

### MULTIPLEX DUO WALL MOUNTED INSTALLATION SCENARIO - handshower and fixed overhead shower configuration



### MULTIPLEX DUO BATH/SHOWER WITH UNDER BATH INSTALLATION - handshower and bath filler



aquatica®

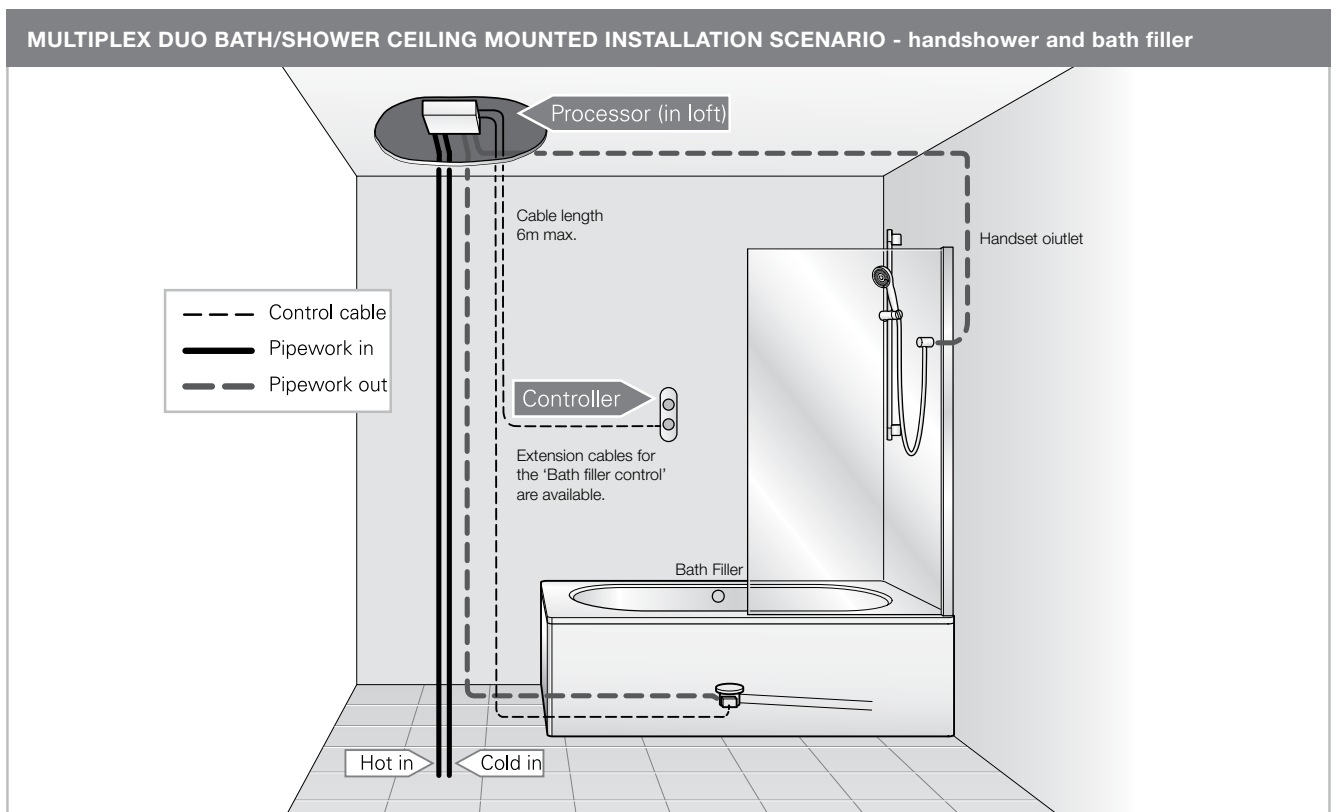
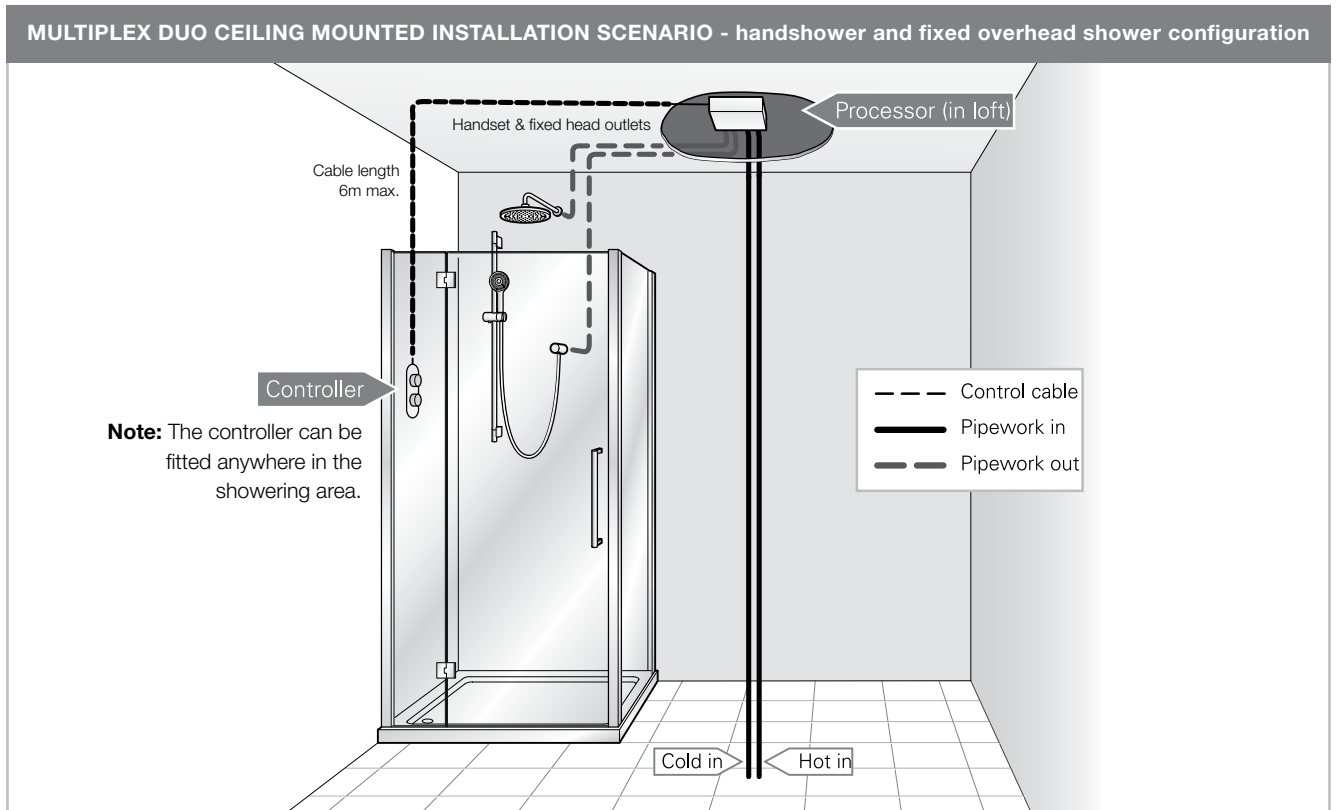
Function : Form : Fashion

# Multiplex Duo

Shower Control Shower Control

## TYPICAL CEILING MOUNTED INSTALLATION SCENARIO:

**IMPORTANT: The Processor must be accessible.**



# Multiplex Duo

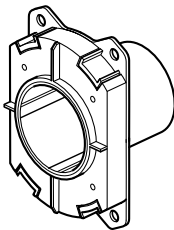
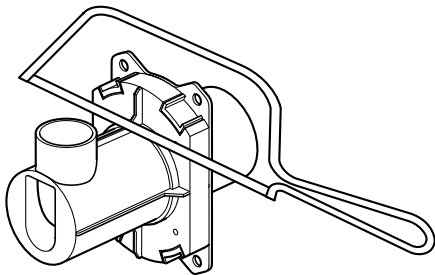
Shower Control Shower Control

aquatica®

Function : Form : Fashion

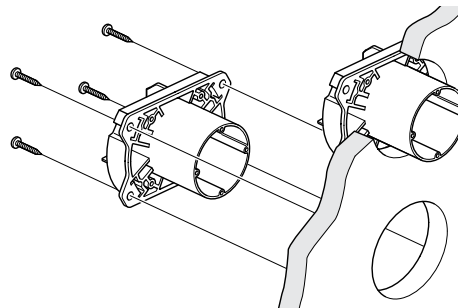
## INSTALLATION SEQUENCE - Shower Control Option

### 1 Cut down control fixing brackets

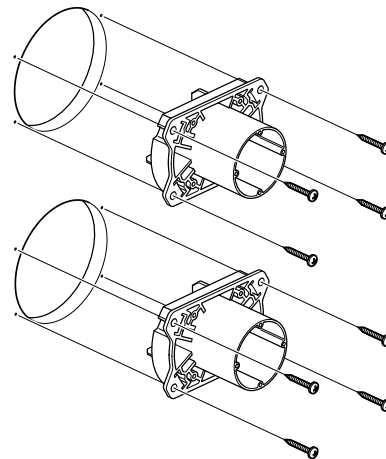


To make the installation easier, we recommend that the control fixing brackets are cut down as shown using a hacksaw.

### 2 Attaching control fixing brackets



Brackets attached from 'behind'



Brackets attached from 'front'

Prepare the wall to take the control fixing brackets. The installation of the control fixing brackets will depend on each individual situation i.e. if there is access from behind the shower.

#### Brackets attached from 'behind':

40mm diameter holes are required.

#### Brackets attached from 'front':

68mm diameter holes are required.

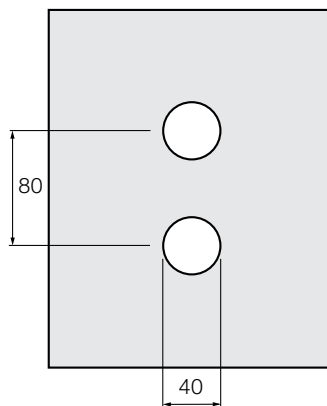
Conduits should be used in the walls where necessary to protect the cables and allow maintenance.

**Note:** If a double trim plate is used the control fixing brackets must be positioned so that the openings at the back are horizontal as shown.

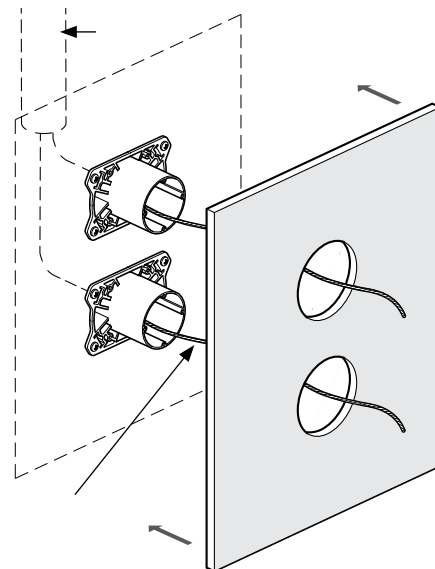
Attach the control fixing brackets using the screws supplied.

### 3 Finish the wall

Finish the wall by tiling etc. 40mm diameter holes should be drilled in the tile etc to finish.



Required hole sizes



aquatica®

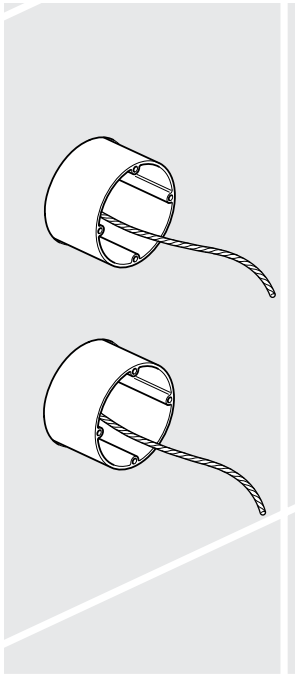
Function : Form : Fashion

# Multiplex Duo

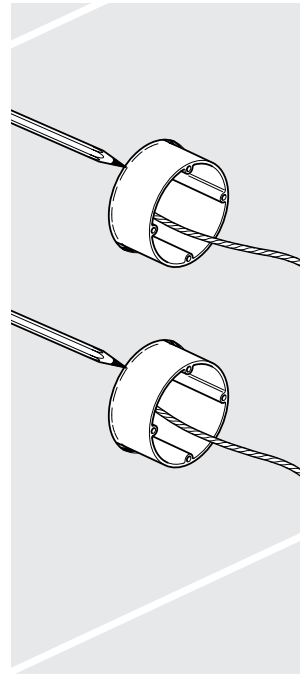
## Shower Control

### INSTALLATION SEQUENCE - Shower Control Option continued

#### 4 Shower control option

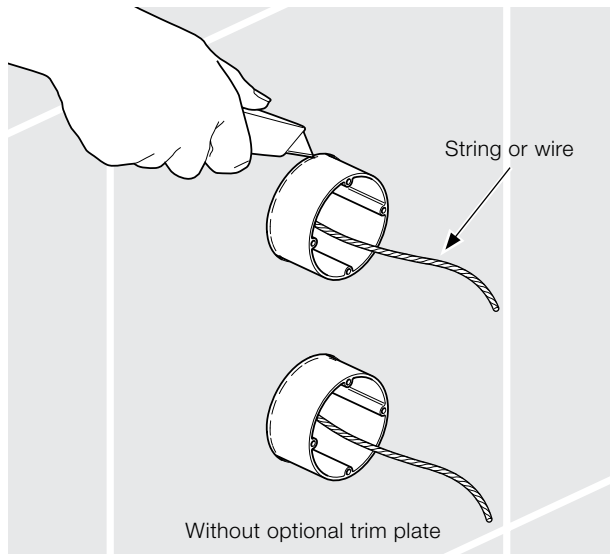


#### 5 Shower control option



Draw a line around the bracket collars, flush with the wall.

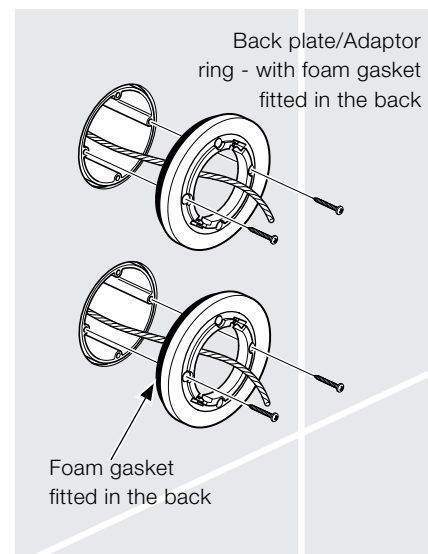
#### 6 Shower control option



Carefully cut down the bracket collars as marked.

**Note:** Feeding a string or wire through the brackets and conduit will make it easier to pull the cables through to the processor

#### 7 Shower control option



Position the adaptor rings inside the back plate/foam gaskets and fix through the adaptor ring holes into the bracket collars using the 15mm screws supplied.



# Multiplex Duo

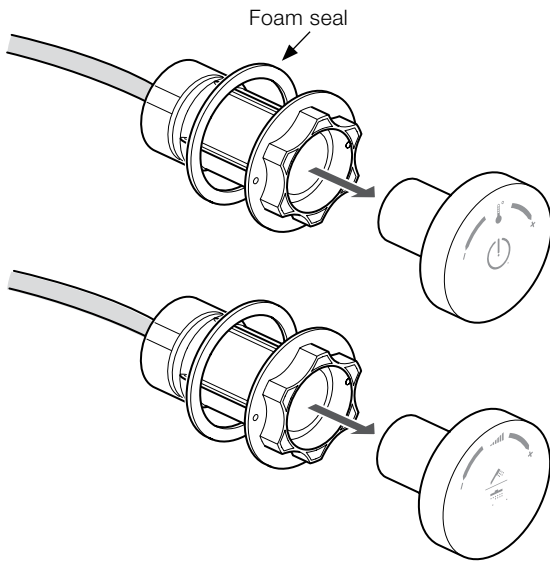
## Shower Control

aquatica®

Function : Form : Fashion

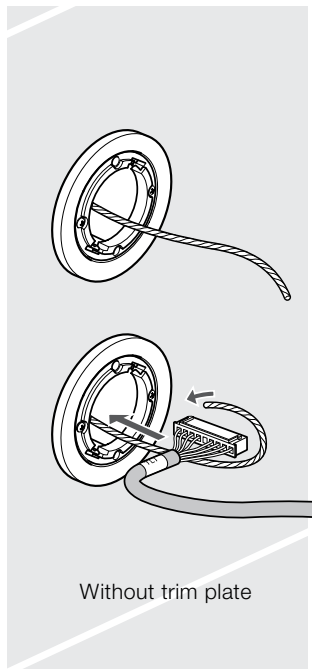
### INSTALLATION SEQUENCE - Shower Control Option continued

#### 8 Shower control option



Carefully pull the 'front' control wheel off the controls, taking care not to mix them up. Feed the 'foam seals' onto the data cables and onto the control bodies.

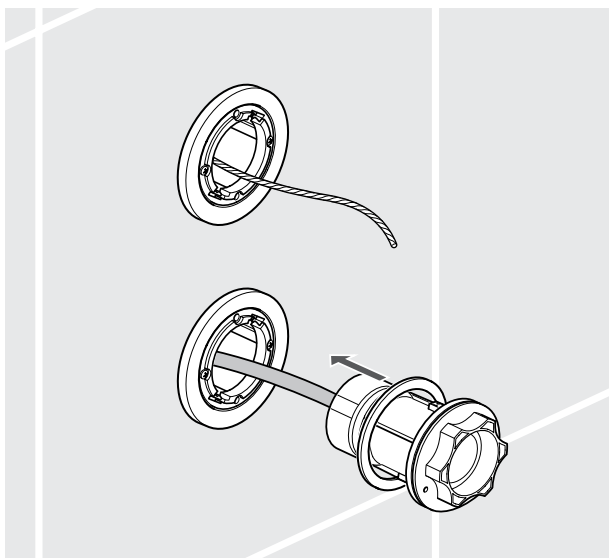
#### 9 Shower control option



Feed the control data cables through the brackets.

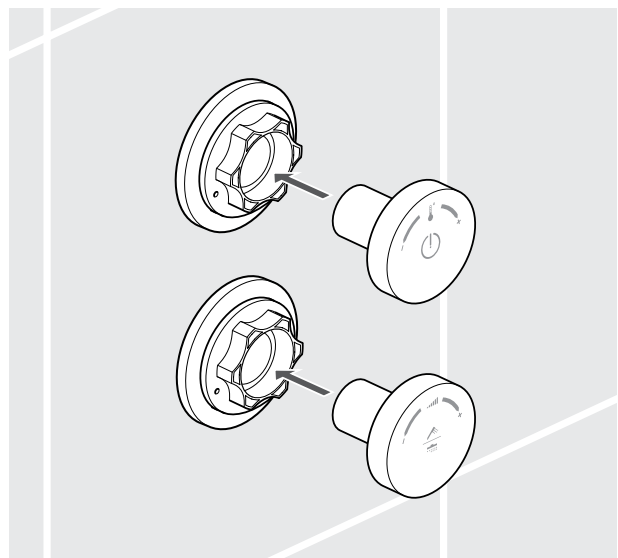
**Note:** The Multiplex Duo Temperature control should be in the top position and the Duo Flow and Diverter control in the bottom position.

#### 10 Shower control option



**Without trimplate:** Position the controls into the brackets and turn clockwise to lock in position.

#### 11 Shower control option



Push fit the 'front' control wheels onto the controls. Now follow step 16 on page 11.

aquatica®

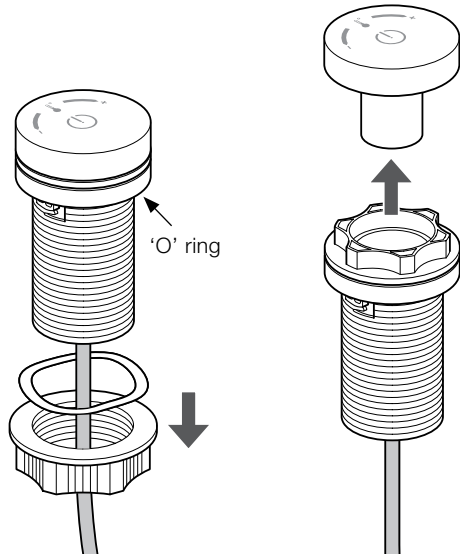
Function : Form : Fashion

# Multiplex Duo

## Shower Control

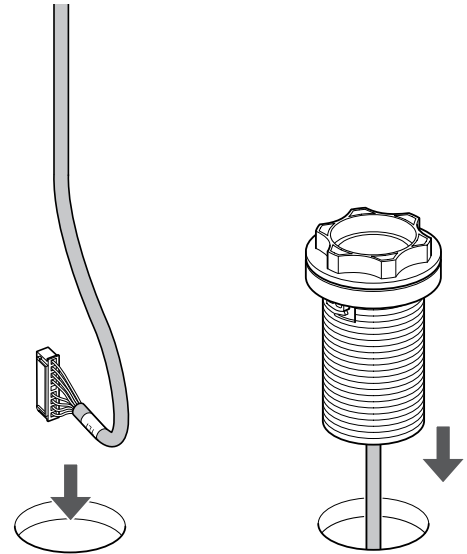
### INSTALLATION SEQUENCE - Bath Control Option

#### 12 Bath control option



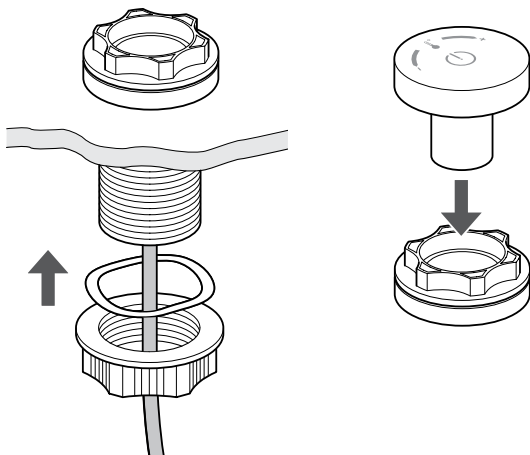
Unscrew and remove the nut and washer from the control brackets and data cables. Carefully pull the 'front' control wheel off the controls, taking care not to mix them up.

#### 13 Bath control option



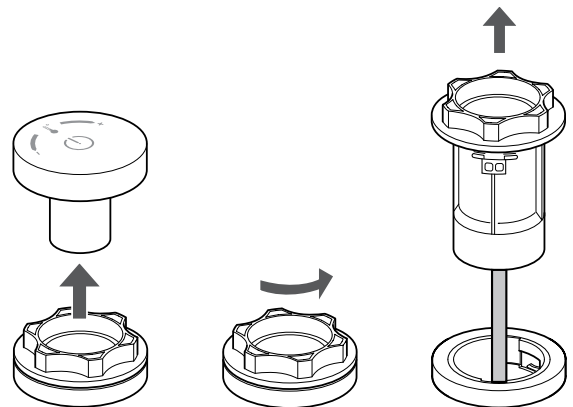
Prepare the bath rim to take the control fixing brackets. 35mm diameter holes are required to fit the brackets. Feed the control data cables through the holes, then insert the control brackets.

#### 14 Bath control option



Feed the washer and nut onto the control data cables and screw hand tight onto the control bracket bodies, help may be required at this stage. Push fit the 'front' control wheels onto the controls.

#### 15 Bath control option



If required the control bodies can be removed from the control brackets by pulling off the front control wheel, turning the control bodies anti-clockwise and lifting out. To refit, position the control bodies in the slots and turn clockwise.

# Multiplex Duo

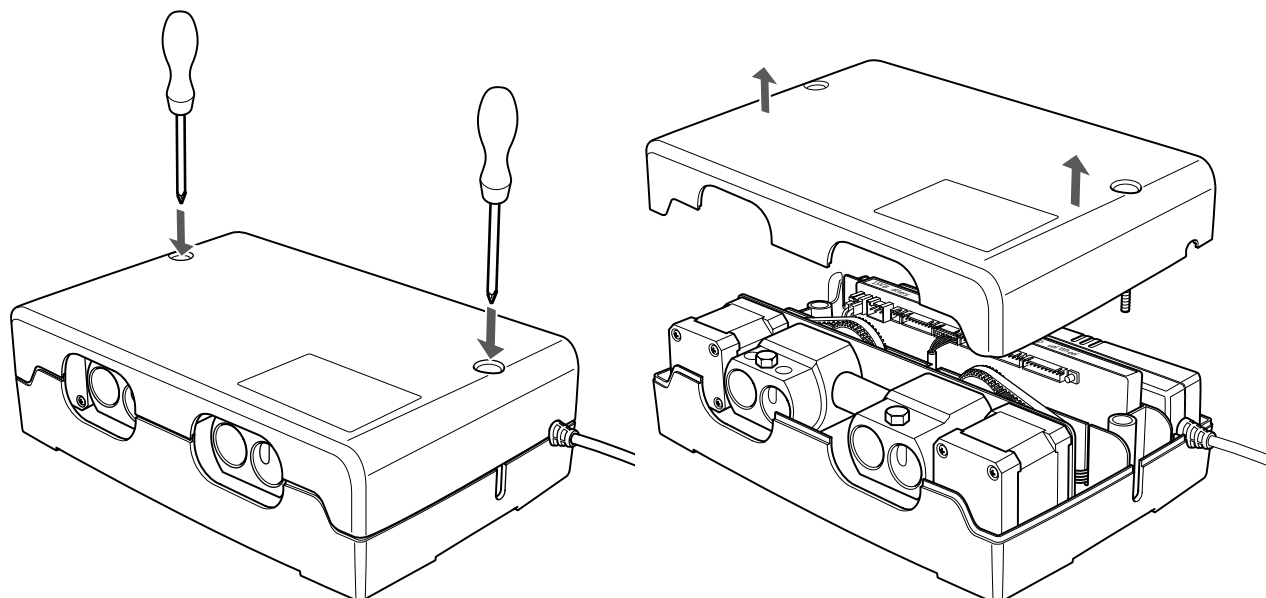
Shower Control

## INSTALLATION SEQUENCE - Processor

aquatica®

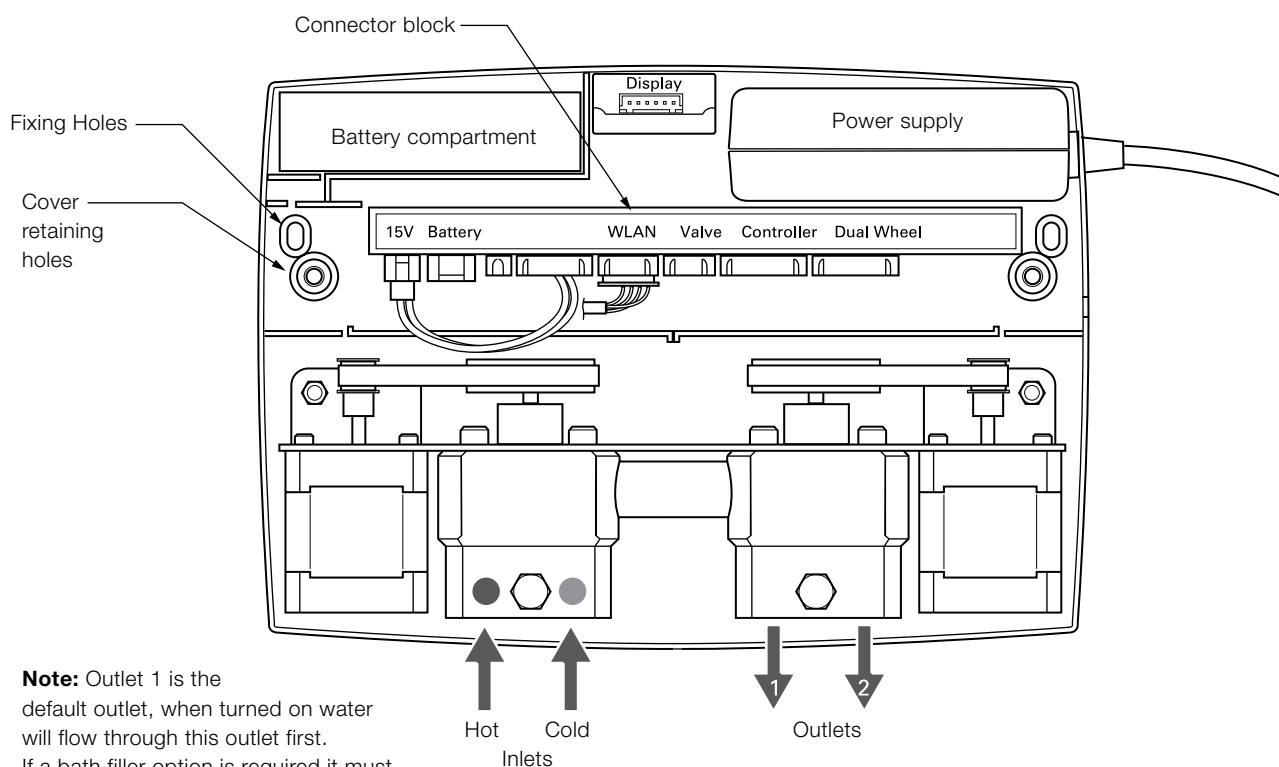
Function : Form : Fashion

### 16 Connecting the processor



Remove the processor cover.

### Inside Processor - Dual outlet



**Note:** Outlet 1 is the default outlet, when turned on water will flow through this outlet first. If a bath filler option is required it must be connected to outlet 1.

aquatica®

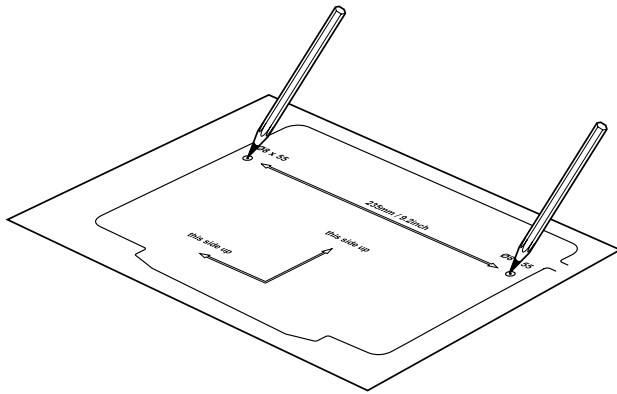
Function : Form : Fashion

# Multiplex Duo

## Shower Control

### INSTALLATION SEQUENCE - Processor continued

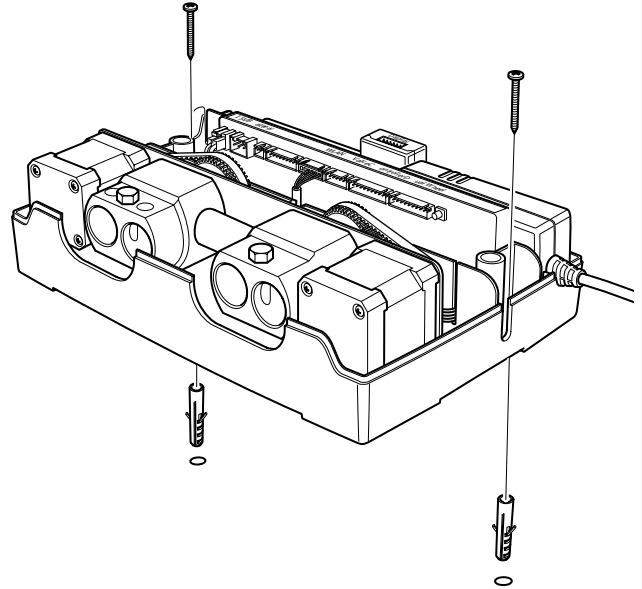
#### 17 Connecting the processor



**Important: The location of the processor must be accessible and dry.**

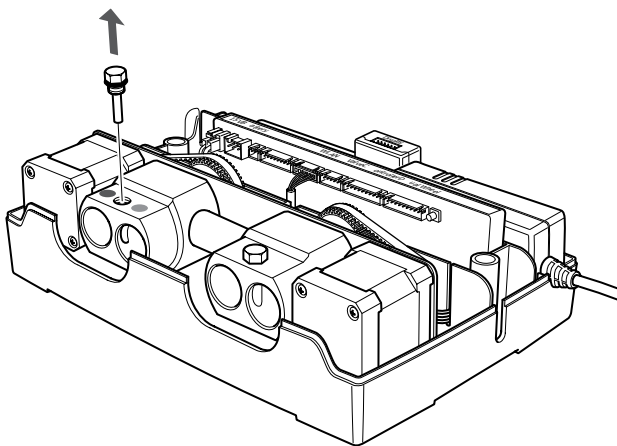
If required, use the template (found on page 17) to mark the position of the processor fixing holes in the selected location.

#### 18 Connecting the processor



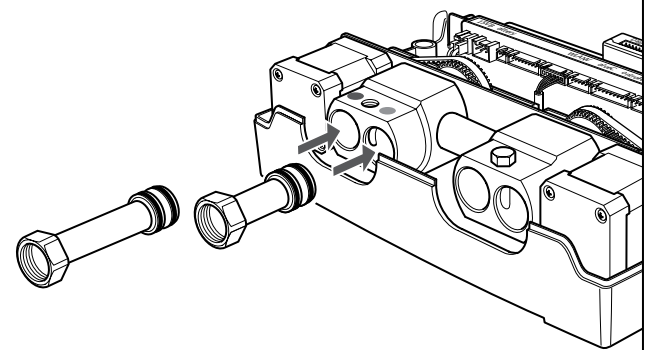
Fix the processor in position using the fixings supplied.

#### 19 Connecting the processor



Remove the inlet connectors retaining bolt.

#### 20 Connecting the processor



Fully insert the inlet connectors into the inlet valves (one long and one short connector).

**Note:** If required, the 'nut' ends of the inlet connectors (and outlet connectors) can be cut off and compression fittings can be used to attach the pipework.

# Multiplex Duo

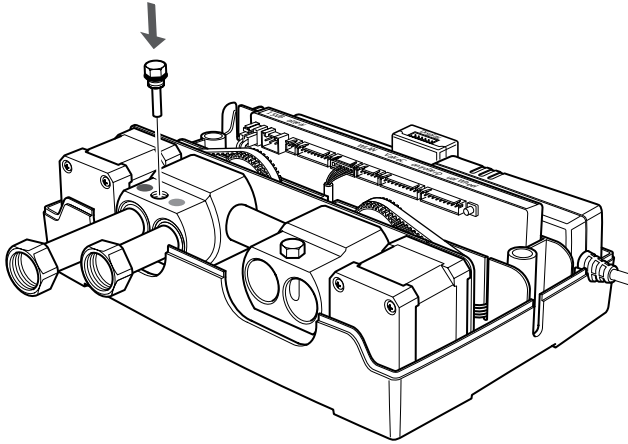
Shower Control

## INSTALLATION SEQUENCE - Processor continued

aquatica®

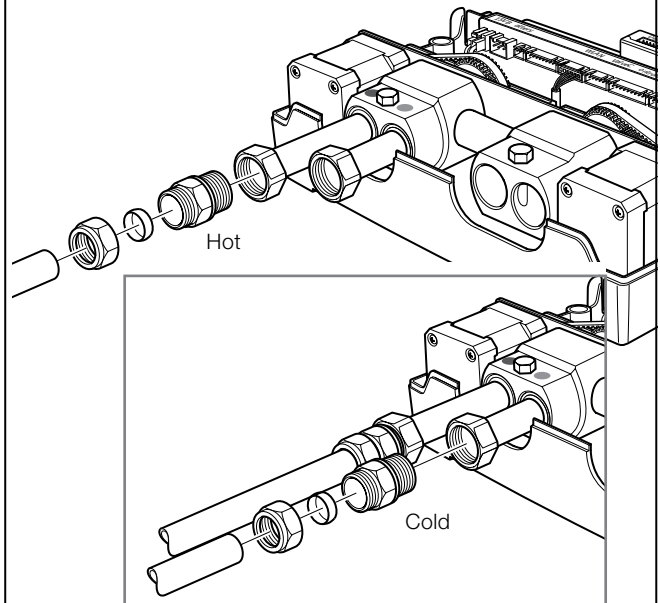
Function : Form : Fashion

### 21 Connecting the processor



Re-insert the inlet connectors retaining bolt.

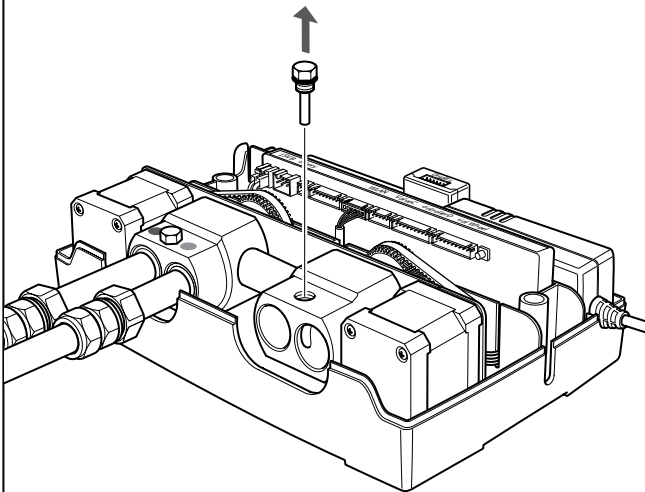
### 22 Connecting the processor



**Important: Flush through the pipework before connection.**

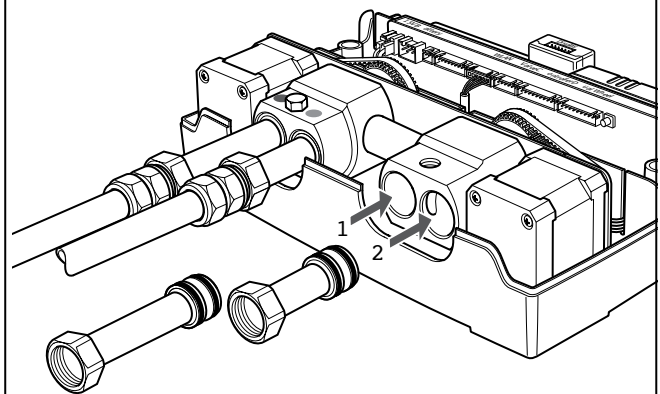
Attach the 15mm hot and cold water supply connections.

### 23 Connecting the processor



Remove the outlet connectors retaining bolt.

### 24 Connecting the processor



Fully insert the outlet connectors into the outlet valves.

**Note:** Outlet 1 is the default outlet, when turned on water will flow through this outlet first. If a bath filler option is required it must be connected to outlet 1.

aquatica®

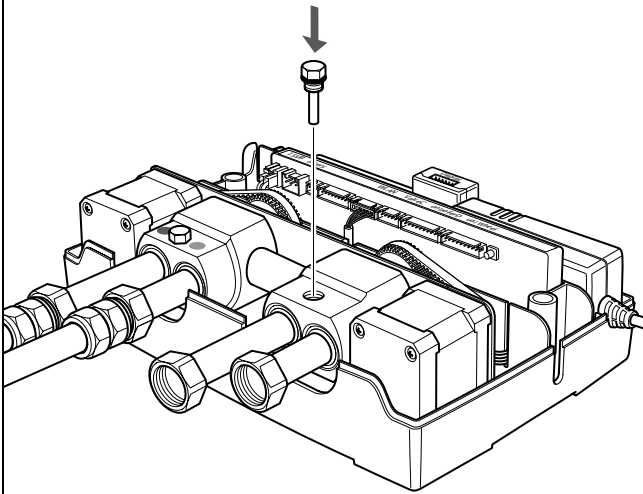
Function : Form : Fashion

# Multiplex Duo

## Shower Control

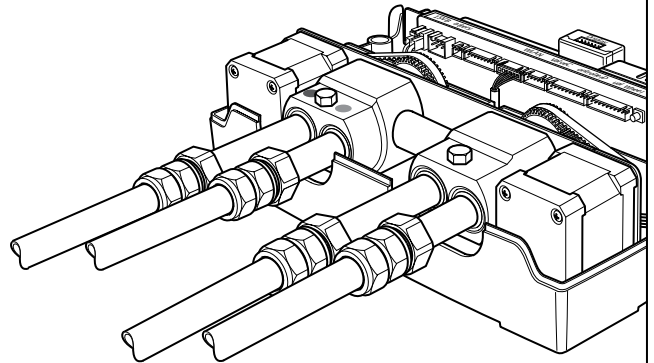
### INSTALLATION SEQUENCE - Processor continued

#### 25 Connecting the processor



Re-insert the outlet connectors retaining bolt.

#### 26 Connecting the processor



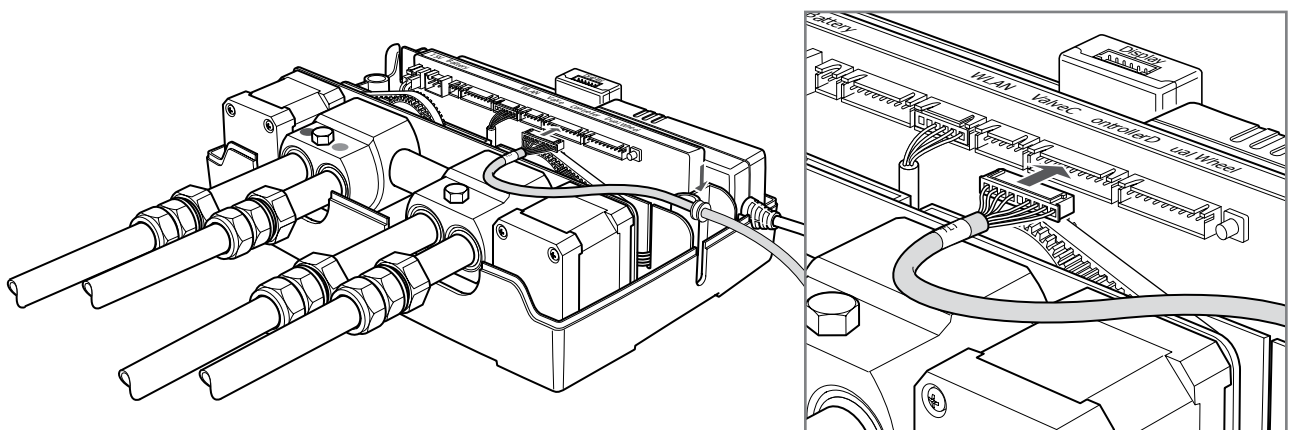
Attach 15mm pipework to the outlet connectors.

**Note:** Make a note of which pipe goes to what.

**Note:** Make sure that the pipework is perpendicular to the processor so that there is no strain on the fittings, use pipe clips as required.

Run a pipe from the mixed water outlet on the processor through the wall to the proposed position of the shower hose outlet etc.

#### 27 Connect temperature control data cable



Connect the data cable from the temperature control to the 'Controller' connection in the processor.

# Multiplex Duo

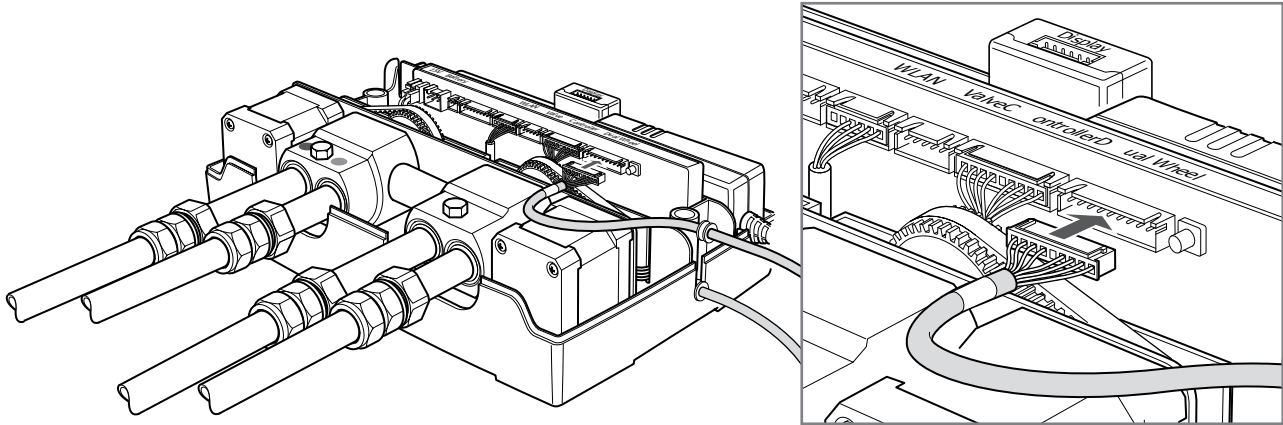
Shower Control

## INSTALLATION SEQUENCE - Processor continued

aquatica®

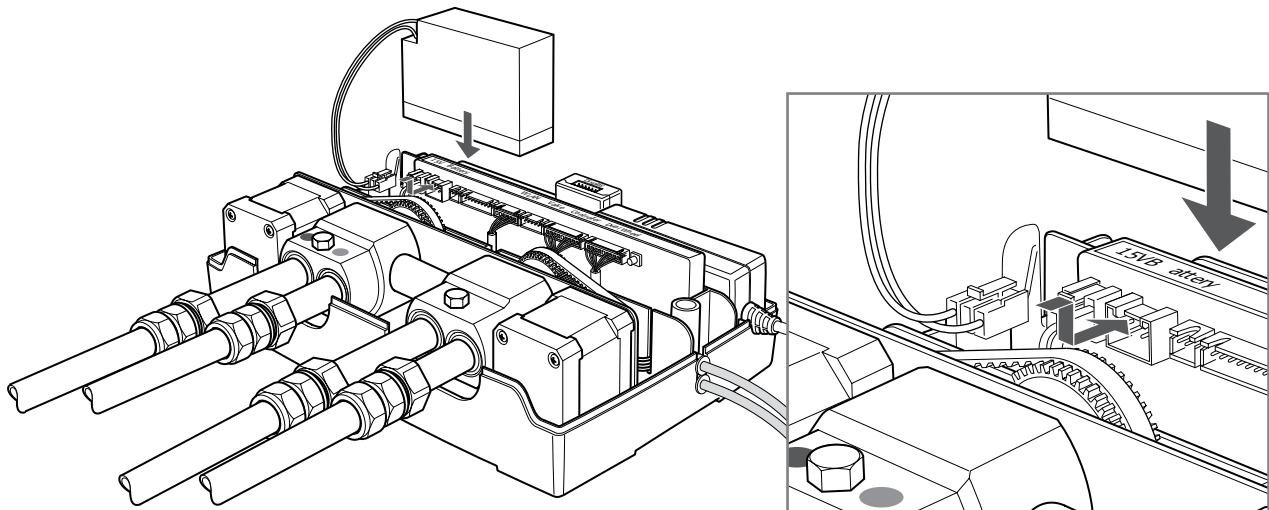
Function : Form : Fashion

### 28 Connect flow/outlet control data cable



Connect the data cable from the flow / outlet control to the 'Dual Wheel' connection in the processor.

### 29 Connect back up battery



Connect the battery cable to the 'Battery for battery back up' connection and place the battery in the compartment.

aquatica®

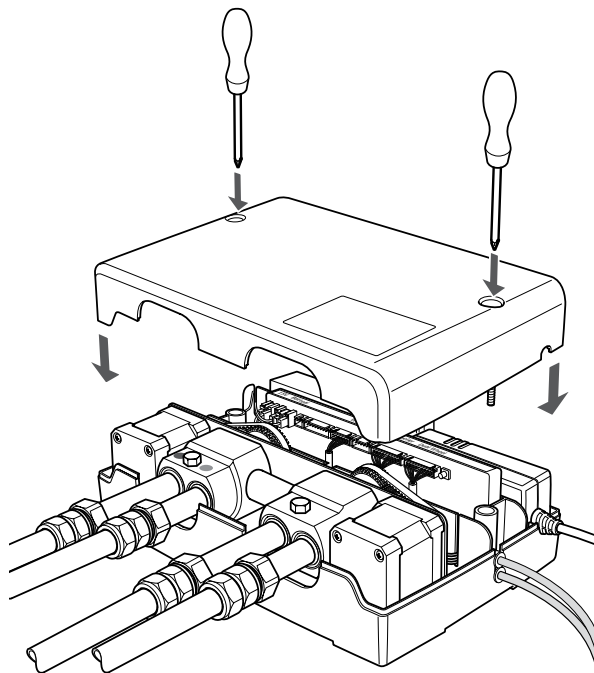
Function : Form : Fashion

# Multiplex Duo

## Shower Control

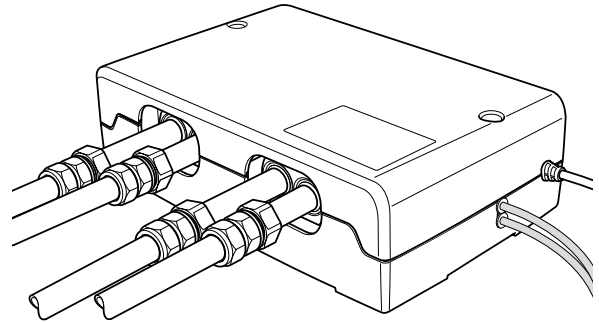
### INSTALLATION SEQUENCE - Processor continued

#### 30 Connecting the processor



Re-fit the processor cover.

#### 31 Connecting the processor



Connect the processor power lead to a double pole 3 amp fuse switched spur incorporated in the fixed wiring circuit, in accordance with the state and city wiring regulations.



**Important:** All showers requiring an electrical connection **MUST** be installed by a qualified installer following the latest plumbing and electrical codes and certified to current building regulations.

## CLEANING / MAINTENANCE

Clean the controls only with soapy water. The use of abrasive cleaners may damage the brass, and will invalidate your guarantee.

## WARRANTY

Aquatica Multiplex series digital shower and bath controllers carry a 5 year warranty that covers all manufacturing defects.

This warranty does not cover damage caused during fitting, damage resulting from incorrect installation, or damage caused by misuse or inappropriate cleaning.

Please do not disassemble the processor unit as this will invalidate your guarantee.

Digital processor boxes must be fitted in accessible locations, and it is the responsibility of the installer to ensure that any processor is accessible.

Aquatica cannot accept liability if the processor has been fitted in an inaccessible location.

Please contact our customer service for information regarding the use of the Multiplex Duo in commercial applications, and the applicability of the warranty in such circumstances.

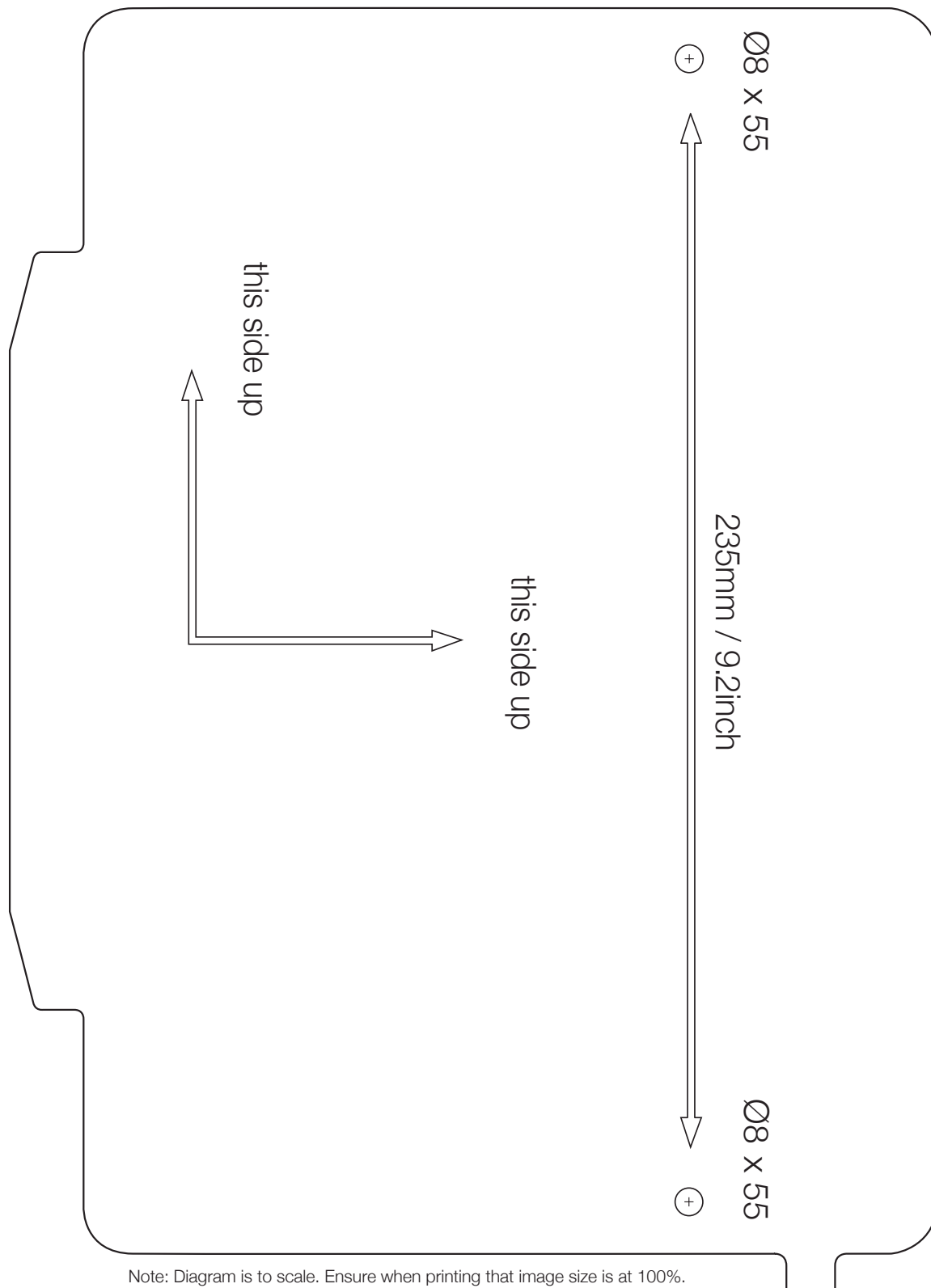


# Multiplex Trio

Shower Control

aquatica®

Function : Form : Fashion



Note: Diagram is to scale. Ensure when printing that image size is at 100%.

aquatica®

Function : Form : Fashion

# Multiplex Duo

Shower Control Shower Control



[Aquaticausa.com](http://Aquaticausa.com)  
[Aquaticabath.ca](http://Aquaticabath.ca)  
E: [info@aquaticabath.com](mailto:info@aquaticabath.com)

aquatica®

Function : Form : Fashion



aquatica®

Function : Form : Fashion



CE

Aquatica Plumbing Europe LTD  
Dzirnava iela 73-2, Riga, Latvia  
13  
EN 14516  
CL1  
CA-DA